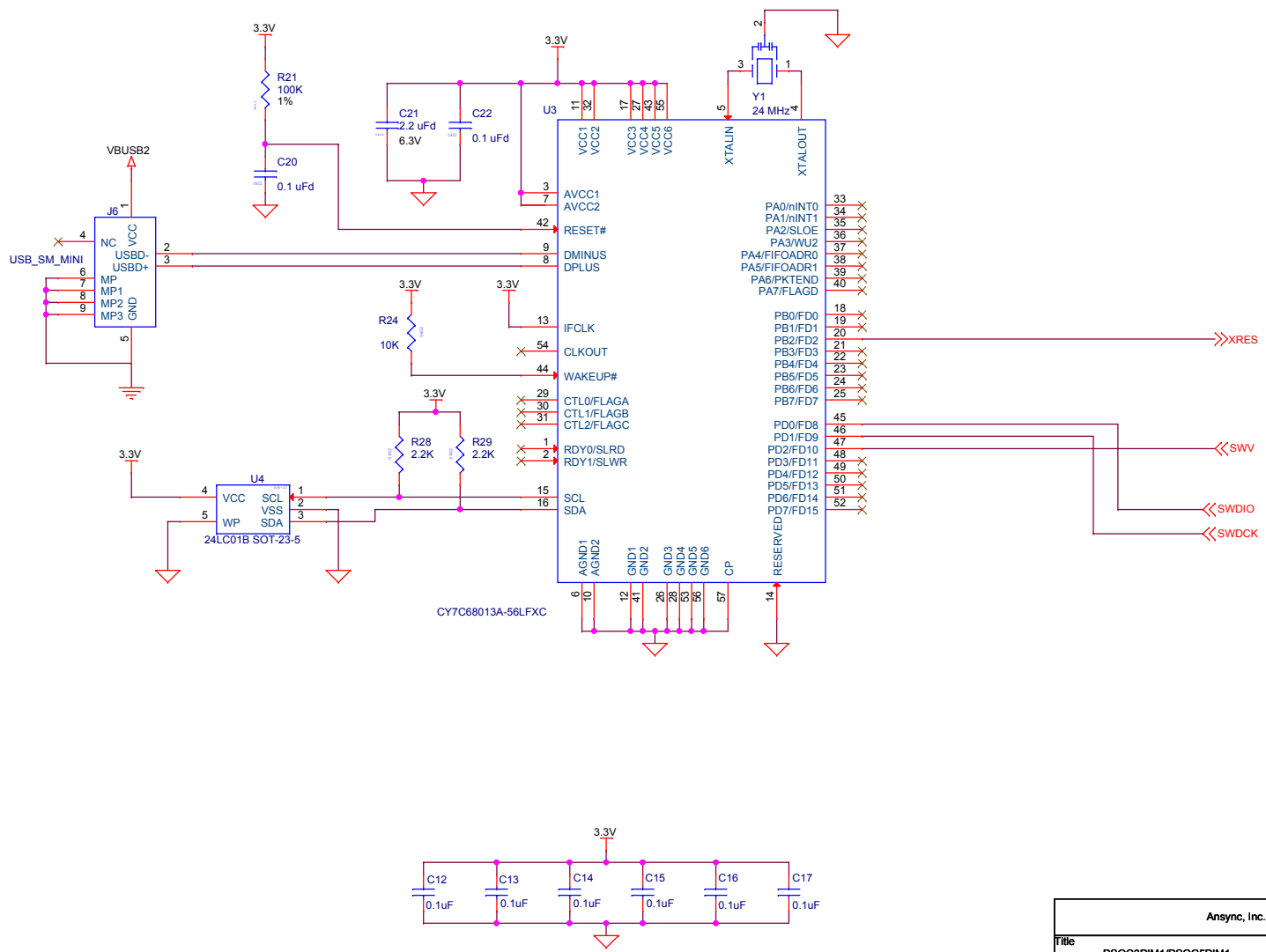


Note: Schematic Rev 5.1.1 is valid for PCB Rev 5.1.0

Ansync, Inc. (c) Copyright 2012		
Title PSOC3PIM1/PSOC5PIM1		
Size B	Document Number <Doc>	Rev 5.1.1
Date: Sunday, April 21, 2013	Sheet 1	of 2



Ansync, Inc. (c) Copyright 2012		
Title PSOC3PIM1/PSOC5PIM1		
Size B	Document Number <Doc>	Rev 5.1.1
Date: Sunday, April 21, 2013	Sheet 2	of 2